

**INSTRUCTIONS FOR INSTALLING A HEAVY LOCK PLATE KIT IN A NATIONAL VENDORS®,
CROWN LINE® SERIES CC, CANDY CUPBOARD, CROWN ELITE AND GOLDEN CABARET
MANUAL CANDY MERCHANDISER**

**CHECK THE PARTS RECEIVED IN THE KIT WITH THE PARTS LIST
IN THESE INSTRUCTIONS. IF ANY PARTS ARE MISSING, CONTACT
NATIONAL VENDORS' PARTS DEPARTMENT IMMEDIATELY.**

These instructions cover the procedure for installing a Heavy Lock Plate Kit in a Crown Line Manual Candy Merchandiser.

Read these instructions carefully and thoroughly before installing the Kit. Retain these instructions for part number and installation information.

Kit, Heavy Lock Plate, part number 112-2424, contains the following parts:

Part Number	Description	Quantity
112-2421	Heavy Lock Plate Assembly	1
114-1046	Lock Keeper Screw	2
112-2425	Installation Instructions	1

TO INSTALL THE KIT

A. PARTS REMOVAL

1. Open the Cabinet Door and lower the Door Holder Leg.

WARNING

Be sure the Door Holder Leg is rotated into the Down Position before proceeding to the next steps. Shifting the weight of the Delivery Mechanism to the front could cause the Cabinet to tip over, causing personal injury and equipment damage.

2. Rotate the Delivery Mechanism out of the Cabinet as follows:
 - a. Remove the Money Box
 - b. Remove the two Thumb Screws which attach the top rear of the Delivery Mechanism to two brackets located on the upper inside rear wall of the Cabinet.
 - c. Disengage the Stops located at the front bottom flanges of both the Left and Right Sidewall and slide the Delivery Mechanism straight out of the Cabinet, until it strikes the spring of the Pivot Stop on the left side.

- d. Pivot the right side of the Delivery Mechanism out of the Cabinet.

3. Remove two attaching Screws and the standard Lock Plate Assembly from the Mounting Bracket on the right wall of the Cabinet.

B. INSTALLATION OF THE KIT

1. Attach the Heavy Lock Plate Assembly, part number 112-2421, to the Mounting Bracket on the right cabinet wall with the two Lock Keeper Screws, part number 114-1046. Both parts are included in the Kit. See Figure.
2. Return the Delivery Mechanism to the In-Cabinet position as follows:
 - a. Pivot the right side of the Delivery Mechanism toward the rear of the Cabinet until the front of the Delivery Mechanism is parallel to the Base and the Shelf of the Cabinet.
 - b. Push the Delivery Mechanism straight into the Cabinet, carefully maintaining alignment in both the Left and Right Mounting Bracket Assemblies on the floor of the Cabinet Shelf.

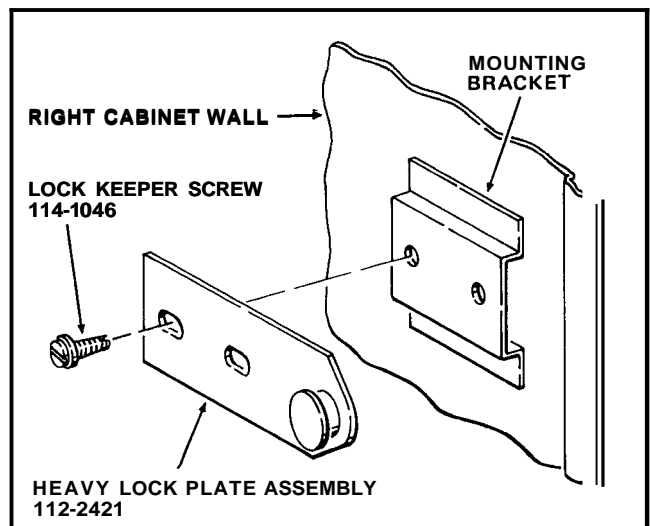


FIGURE 1

NOTE

*Be sure the **Scavenger** Bar on the Right Sidewall is properly aligned within the **Scavenger** Guide Assembly on the Cabinet Right inside wall.*

- c. Re-engage the Stops in the holes located in the front bottom flanges of both the Left and Right Sidewalls.

- d. Install the two Thumb Screws which attach the top rear of the Delivery Mechanism to the two brackets located on the upper inside rear wall of the Cabinet.
 - e. Install the Money Box.
3. Rotate the Door Holder Leg to the UP Position and close the Cabinet Door.